

New version:

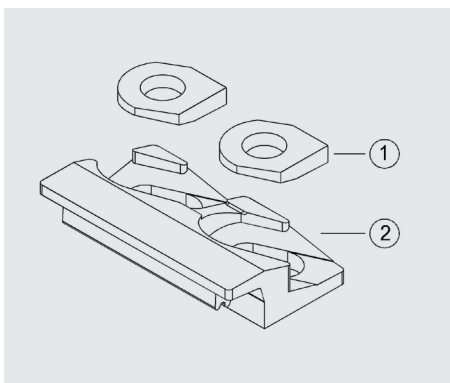
- Increased lateral resistance

CLIPS	B max	C max	Lateral adjustment	Bolt torque (Nm)		Estimated weight
				8.8	10.9	
B30/BN	22	40	10	660 Nm	750 Nm	1.950
B30/CN	30	48	10	660 Nm	750 Nm	2.500
Maximum resistance to lateral forces (*)				250 kN	300 kN	

N: nose height, not compressed, adapted to the rail type (see table overleaf).

(*) Side load calculation is based on the use of 8.8 and 10.9 grade bolts, and is reduced in case of lower bolt grades.

Contact Gantrex for confirmation of side load in your application.



Full designation	
B30/BN or B30/CN	
Components	
①	2 x B30/R
②	1 x B30/40N or 1 x B30/48N

Notes overleaf

- Clip Specification
- Clip Selection Table
Main component and nose height (N) according to rail type and foot size (F).
- Components Materials
- Installation Instructions





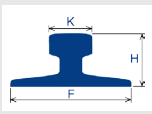
CLIP SPECIFICATION

The B30 clips are specifically designed to facilitate correct mounting of crane rails:

- Double bolts allow high strength while the clip remains compact.
- The wider lateral adjustment range allows for better rail installation and alignment .
- Higher resistances to lateral loads means better rail positioning for larger rails

Once correctly installed, the clips are self-locking and self-tightening.

CLIP SELECTION FOR EACH RAIL

	F mm	K mm	H mm	Weight kg/m	Mounting	
					with	without
					7 mm Gantrex® pad	
A100	200.0	100.0	95.0	74.30	B30/BM	-
A120	220.0	120.0	105.0	100.00	B30/BJ	-
A150	220.0	150.0	150.0	150.30	B30/BJ	B30/BQ
CR73	140.0	100.0	135.0	73.30	B30/BJ	B30/BQ
CR100	155.0	120.0	150.0	100.20	B30/CQ	B30/BQ
MRS85 (171 CR)	152.4	101.6	152.4	84.83	B30/CQ	B30/BQ
MRS87A (PRI85 R)	152.4	101.6	152.4	86.80	B30/CQ	B30/BQ
MRS87B (175 CR)	152.4	102.4	152.4	86.80	B30/BJ	-
MRS125	180.0	120.0	180.0	125.00	B30/CJ	B30/BJ
MRS221	220.0	220.0	160.0	221.40	B30/CQ	B30/BM
QU100	150.0	100.0	150.0	88.96	B30/BM	-
QU120	170.0	120.0	170.0	118.10	B30/BJ	B30/BQ
KP100	150.0	100.0	151.8	83.09	B30/BJ	B30/BQ
KP120	170.0	120.0	172.0	113.47	B30/CQ	B30/BQ
KP140	170.0	140.0	172.5	141.70	B30/CJ	B30/CQ

Note : All dimensions are rounded off to serve as general guidelines only. Contact Gantrex for rail sizes not shown above and for help selecting rail pads.

COMPONENTS MATERIALS

The B30 clip is standard with ductile cast iron components and vulcanize-bonded rubber nose. The components can also be hot dip galvanized on request. Contact Gantrex for other options.

INSTALLATION INSTRUCTIONS

Choose the adequate bolt grade to achieve the required resistance: grade 8.8 for 250 kN and 10.9 for 300 kN.

The main component is first positioned on the bolt against the rail and the special washer is then positioned on the main component. The nut is hand tightened. Adjust the clip to ensure tight contact with the rail by a hammer hit.

Electrical and pneumatic torque wrenches are allowed as long as the torque is lower than 2/3 the final torque.

The final torque is reached by using a calibrated torque wrench.

For most applications, use bolts complying with ISO 4014 (DIN 931) or ISO 4017 (DIN 933) and the corresponding nuts and washers.

For full instructions on the use of the bolttable clips, refer to the data sheet "Installation Instructions".

Do not apply protective coating on the contact surface between components and support unless accepted by GANTREX. Do not use solvents as they may seriously damage the rubber nose.

We reserve the right to discontinue or change specifications or design at any time without prior notice and without incurring any obligation whatsoever.

